

SPEC SHEET
PX02-mVNPT

Interchangeable with
Model TH-2

\$494
Model Shown

PX02 SERIES
mV/V Output
0-10 to 7,500 psi
0-150 mbar to 0-500 bar

1 bar = 14.5 psi
1 kg/cm² = 14.22 psi
1 Atmosphere = 14.7 psi = 29.93
in-Hg = 760.2 mm-Hg = 1.014 bar

- ✓ High Accuracy
- ✓ High Operating Temperature
163°C (325°F)
- ✓ FM/CSA Intrinsically Safe - Standard
- ✓ FM listed for use in Hazardous Locations - Optional
- ✓ All Stainless Steel Construction
- ✓ Shunt Calibration for Easy System Checks
- ✓ Hermetically Sealed Double Diaphragm Design for Harsh Environments
- ✓ Available in Gage, Absolute, Sealed Gage and Metric in psi Ranges
- ✓ Cable or Connector Models

For Sales and Service
In U.S.A. and Canada

1-800-872-3963
1-800-USA-DYNE

International Customers Dial
(614) 965-9340
24-Hour FAX (614) 965-9438

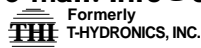
OMEGADYNESM FAX

OMEGADYNE's 24-Hour
On-Line Publishing Service

1-800-344-3963
1-800-DIG-DYNE

Document # 3660

OMEGADYNE, Inc.
149 Stelzer Court, Sunbury, OH 43074
<http://www.omegadyne.com>
e-mail: info@omegadyne.com



© COPYRIGHT 1996 OMEGADYNE, INC. ALL RIGHTS RESERVED.



**HIGH
ACCURACY
MILLIVOLT
OUTPUT
PRESSURE
TRANSDUCER**
1/4-18 NPT Pressure
Connection

Model PX02C1-075GV
Shown Smaller than Actual Size

► Most Popular Models Highlighted ◀

Prices Shown in U.S. Dollars

To Order: (Specify Model Number)			
Models with 1/4 NPT Connection / Connector Style			
Range (psi)	Model Number	Price	Compatible Meters
Absolute Pressure (All Ranges Available in Absolute Pressure)			
0-10	PX02C1-010AV	\$569	INFS, INFCS
0-15	PX02C1-015AV	569	INFS, INFCS
0-20	PX02C1-020AV	569	INFS, INFCS
0-25	PX02C1-025AV	569	INFS, INFCS
0-50	PX02C1-050AV	569	INFS, INFCS
Gage Pressure (All Ranges Also Available in Sealed Gage Pressure)			
0-10	PX02C1-010GV	559	INFS, INFCS
0-15	PX02C1-015GV	559	INFS, INFCS
0-50	PX02C1-050GV	559	INFS, INFCS
0-75	PX02C1-075GV	494	INFS, INFCS
0-100	PX02C1-100GV	494	INFS, INFCS
0-200	PX02C1-200GV	494	INFS, INFCS
0-300	PX02C1-300GV	494	INFS, INFCS
0-500	PX02C1-500GV	494	INFS, INFCS
0-1000	PX02C1-1KGV	494	INFS, INFCS
0-1500	PX02C1-1.5KGV	494	INFS, INFCS
0-2000	PX02C1-2KGV	494	INFS, INFCS
0-3500	PX02C1-3.5KGV	494	INFS, INFCS
0-5000	PX02C1-5KGV	494	INFS, INFCS
0-7500	PX02C1-7.5KGV	494	INFS, INFCS

Interchangeable with Model TH-2

Metric Ranges Available - Consult Engineering

To order FM Hazardous Location Approved Models add suffix "-FM" to model number, +\$150.

To order Absolute Pressure replace the "G" in model number with "A" (add \$10).

To order Sealed Gage units replace "G" in model number with "S" (no charge)

Ordering Examples: 1.) **PX02C1-1KGV** is a 1,000 psi range transducer with mV/V output, twist lock connector and 1/4-18 NPT male pressure connection, \$494. Mating Connector (not included) **PTO6F-10-6S**, \$26.50.

2.) **PX02C1-1KGV-FM** is a 1,000 psi range transducer with mV/V output, twist lock connector and 1/4-18 NPT male pressure connection with FM Hazardous Locations rating, \$494+150 = \$644. Mating Connector (not included) **PTO6F-10-6S**, \$26.50.

Printed On Recycled Paper



The OMEGADYNE™ PX02 Series are high accuracy, millivolt output, industrial pressure transducers. Hermetically sealed, all stainless steel construction makes the PX02 suitable for harsh environments.

FM/CSA approved, Intrinsically Safe and FM explosion proof ratings are available. High operating temperature, broad compensated range and excellent temperature compensation allow stable readings in applications with fluctuating temperatures. The PX02 is available in gage, absolute or sealed gage models as well as PSI or metric ranges. A 1/4" NPT male is standard with NPT Female and and 7/16-20 O-ring seal fittings available for industrial and Hydraulic applications.

SPECIFICATIONS: mv/V Output

Electrical:

Excitation: 10 V ac/dc (15 V Max)

Output: 3 mV/V ±0.25%

Input Resistance: 360 Ohm Min.

Output Resistance: 350 ±5 Ohms

Zero Balance: ±1.0% of FSO

Agency Approvals: Hazardous Locations S/I/1/ABCD - Optional FM/CSA Intrinsically Safe IS/I.II.III/1/CDEFG - Standard

Shunt Calibration: Value specified on Calibration sheet

Performance:

Accuracy Class: ±0.1%

Linearity: ±0.1% FSO

Hysteresis: ±0.05% FSO

Repeatability: ±0.05% FSO

Sensing Element: 4 active-arm bridge, using thick film strain gages in a hermetically sealed "double diaphragm" chamber

Environmental:

Operating Temp Range: -73 to 163°C (-100 to 325°F)

Compensated Temp Range: 16 to 71°C (60 to 160°F)

Thermal Effects: Span: 0.003% of Rdg/°F Zero: 0.0025% of FSO/°F

Pressure:

Ranges (PSI): 10,15,20,25,50, 75,100,150,200,250,300,500, 750,1K,1.5K,2K,3K,3.5K,5K,7.5K

Proof Pressure: 150% of rated pressure

Burst Pressure: 300% of rated pressure

Mechanical:

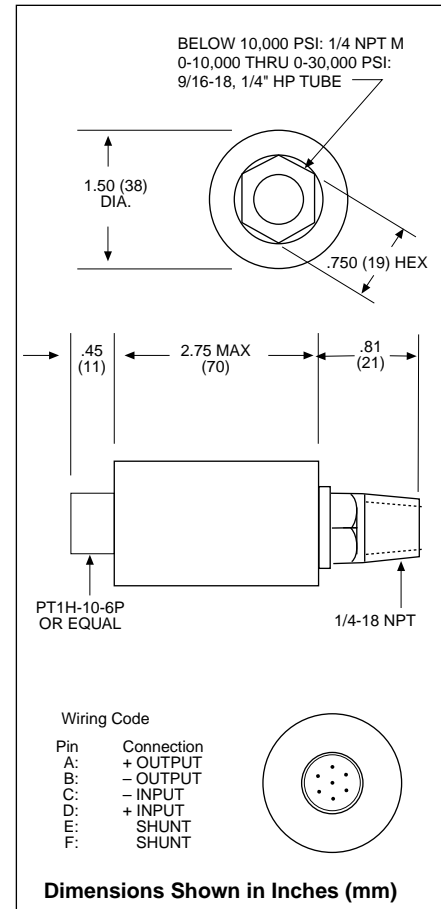
Wetted Parts: 17-4PH Stainless Steel

Pressure Port:

Ranges <10,000 psi: 1/4-18 NPT Male
Ranges ≥10,000 psi: 9/16-18, 1/4" HP tube
Also available: 7/16-20 UNF M/F, 1/4-18 NPT Female

Electrical Connection: PT1H-10-6P or equal. Also available: 10 ft (3m) 6-conductor cable

Mating Connector: PT06F-10-6S (not included)



CUSTOM CONFIGURATIONS

SERIES PX02	PRESSURE PORT [1]	ELECTRICAL CONNECTION [2]	RANGE (PSI) [3]	UNITS [4]	OUTPUT [5]	OPTIONS [6]
	Models < 10,000 psi		002*	S,G,A	V = mV/V Output	FM = FM Hazardous
	C = 1/4-18 NPT-M +\$19		005*	S,G,A	Base Price	Location +\$150
	D = 1/4-18 NPT-F no charge		010	S,G,A	5T = 0 to 5Vdc Output	mV/V model only
	J = 7/16-20 UNF-M +\$19		015	S,G,A	+ \$155	OL = Overload Stops
	K = 7/16-20 UNF-F no charge		020	S,G,A	5Z = Isolated 0 to 5 Vdc	+ \$45
	Models ≥10,000 psi		025	S,G,A	Output +\$190 all	OX = Cleaned for
	S = 1/4 HP Tube Fitting		050	S,G,A	ranges	Oxygen use
	no charge		075	S,G,A	10T= 0 to 10 Vdc Output	+ \$75 & 2 weeks
			100	S,G,A	+ \$155 all ranges	
	0 = 10 ft (3m) cable (std)		150	S,G,A	I = 4 to 20mA Output	
	+ \$2/ft over 10 ft		200	S,G,A	+ \$175 all ranges	
	1 = PT1H-10-6P Connector		250	S,G,A		
	or equal (no charge)		300	S,G,A		
	Mating Connector		500	S,G,A		
	(not included) order		750	S,G,A		
	PT06F-10-6S \$26.50		1K	S,G,A		
	5 = Lightning protected		1.5K	S,G,A		
	Amplifier Box (no charge)		2K	S,G,A		
	(4-20 mA models only)		3K	S,G,A		
			3.5K	S,G,A		
			5K	S,G,A		
			7.5K	S,G,A		
			10K†	S,G,A		
			20K†	S,G,A		
			30K†	S,G,A		

Mating Connector
PT06F-10-6S,
\$26.50

To Order a Custom Configuration:

1. Select a Pressure Port
2. Select Electrical Connection
3. Select a Pressure Range
4. Select Pressure Units
5. Select Output
6. Select Options and Agency Approvals

Interchangeable with Model TH-2

Metric Ranges Available - Consult Engineering

- Ordering Examples:** 1.) **PX02C1-100GI** is a 100 psi Gage Pressure transducer with a 1/4-18 NPT-Male fitting, a PT1H-10-6P Connector, and 4-20 mA output, \$475+175+19 = \$669. To order Mating Connector (not included) **PT06F-10-6S, \$26.50.**
- 2.) **PX02K0-1KS5Z** is a 1,000 psi Sealed Gage Pressure transducer, with a 7/16-20 UNF-Female fitting, a 10 ft (3m) cable, and Isolated 0 to 5 output, \$475+190 = \$665.
- 3.) **PX02J1-015A5T** is a 15 psi Absolute Pressure transducer with, a 7/16-20 UNF-Male fitting, PT1H-10-6P Connector, and a 0 to 5 Vdc output, \$540+155+19 = \$714. To order Mating Connector (not included) **PT06F-10-6S, \$26.50.**
- 4.) **PX02K5-025GV-FM** is a 25 psi Gage Pressure transducer, with a 7/16-20 UNF-Female fitting, a lightning protected amplifier housing, mV/V output, and Factory Mutual Hazardous Locations rating, \$540+155+19 = \$714.